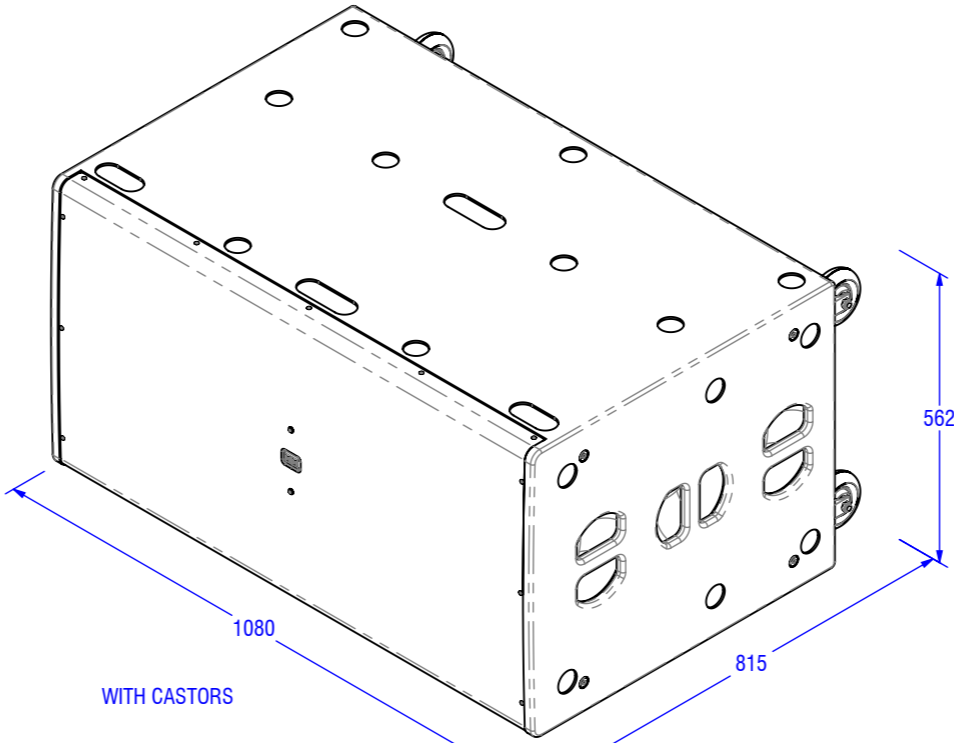
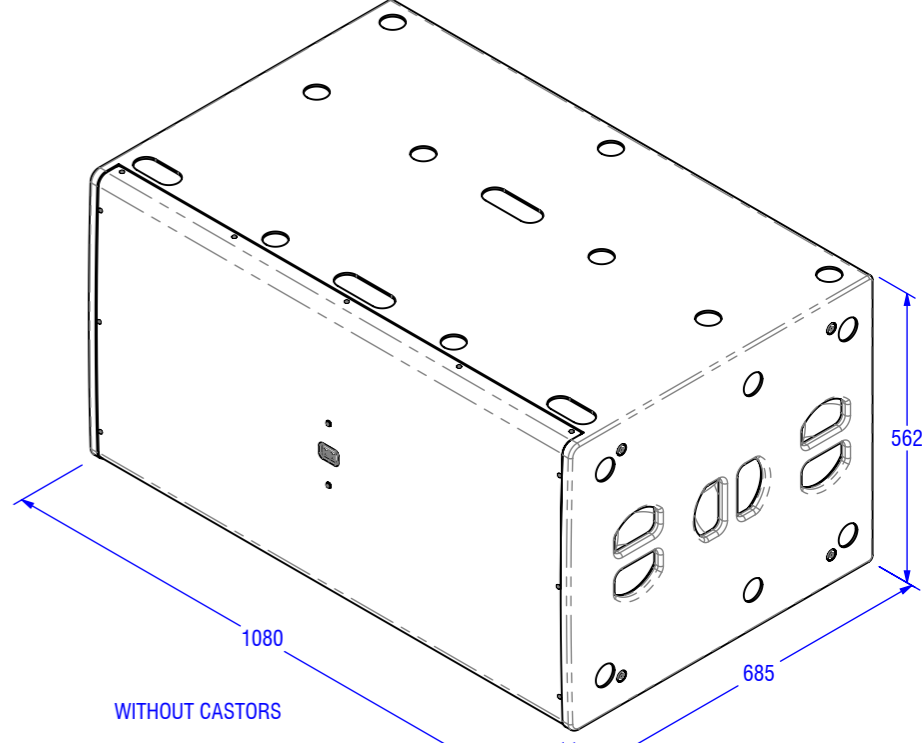


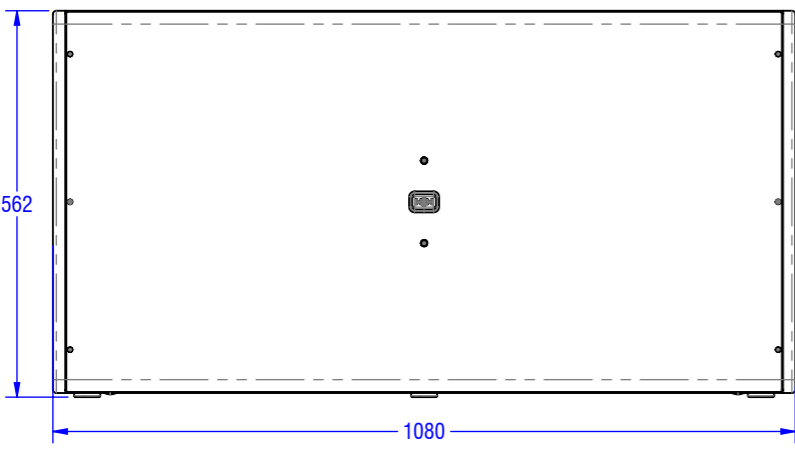
TOP



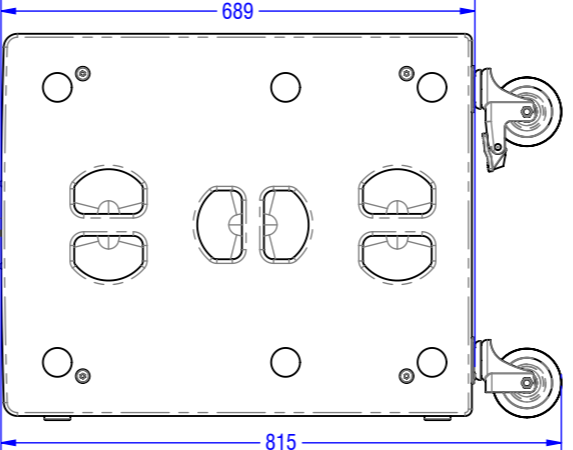
WITH CASTORS



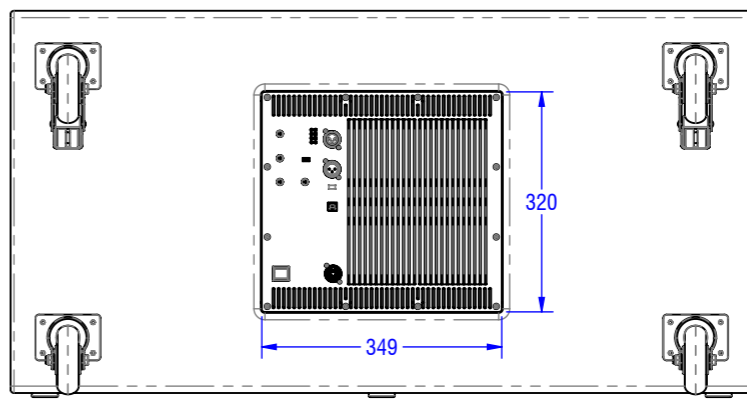
WITHOUT CASTORS



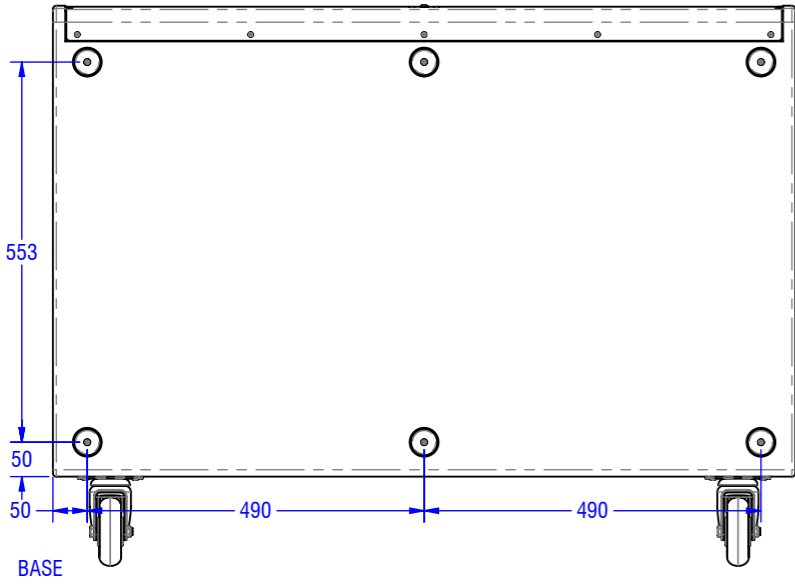
FRONT



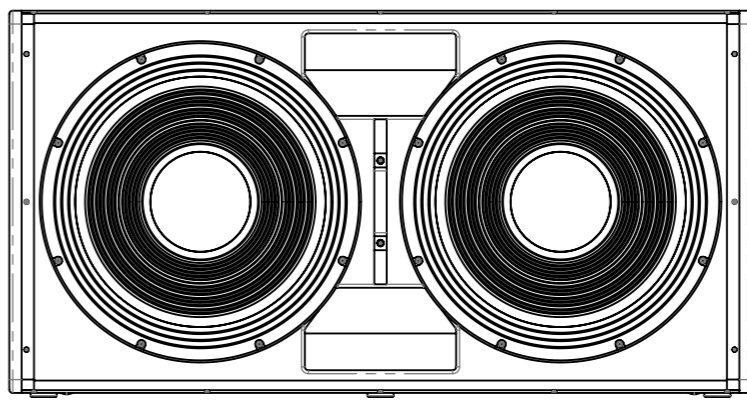
RIGHT



REAR



BASE



FRONT



HH ELECTRONICS LTD
 STEELPARK ROAD, COOMBS WOOD BUSINESS PARK,
 HALESOWEN, WEST MIDLANDS, B62 8HD, UK
 WWW.HHELECTRONICS.CO.UK

DESCRIPTION:
PRODUCT ASSEMBLY

STATE:
RELEASED

UNLESS OTHERWISE STATED:
 ALL DIMENSIONS ARE IN MILLIMETERS (mm)
 LINEAR TOLERANCE ±0.5 ANGULAR TOLERANCE ±1.0°

PROJECT TITLE:
TNA-2800SA

REFER TO 3D MODEL FOR FULL DIMENSIONAL DATA

THIS DRAWING REMAINS THE PROPERTY OF HH ELECTRONICS LIMITED.
 THIS DRAWING, HARD COPY OR DIGITAL, AND ANY ATTACHMENTS ARE
 CONFIDENTIAL, LEGALLY PRIVILEGED AND PROTECTED BY COPYRIGHT.

DWG NO. MCA015882	REVISION: 2
DATE: 31/03/2023	RELEASED BY: TB
SCALE: 1:11	SHEET SIZE: A3
	SHEET: 2/2